

H  
series

**Shinhoo**<sup>®</sup>  
CANNED MOTOR PUMP

## H Series High Efficiency Circulator For Heat Pump System



**Shinhoo**<sup>®</sup>  
CANNED MOTOR PUMP

HEFEI XINHU CANNED MOTOR PUMP CO., LTD.  
No.1 Yanglin Road, Hi-tech Development Zone, Hefei, Anhui, 230088, P.R.China  
Tel: +86 551 62379803/07 Fax: +86 551 62379801 Web: [www.shinhoodump.com](http://www.shinhoodump.com)

HEFEI XINHU CANNED MOTOR PUMP CO., LTD.

**Never Settle For Good Pumps!**

## Contents

- 01. Company profile
- 03. Application area
  - Technical data
- 04. Advantage
- 05. Product introduction





# BRIEF INTRODUCTION

(Shinhoo) As a wholly-owned subsidiary of Zhejiang Dayuan Pumps Industrial Co., Ltd.(Shanghai Stock Exchange-stock code: 603757), Shinhoo is specialized in canned motor pump manufacturing. In order to satisfy the rising market demands, in 2007 our large production base was constructed with the total investment of 300 million Chinese Yuan in National Hi-tech Development Zone in Hefei, Anhui Province, P.R. China. At the end of 2009, our new plant with the floor area of 100,000 square meters started running. Based on the standard of ISO 9001:2015 Quality Management System, ISO14001:2015 Environment Management System and OHSAS18001:2007 Occupational Health and Safety Management System, Shinhoo established a complete set of design, producing, marketing and service system. As required by different countries and areas, our related products successfully obtained certifications such as CCC, GS, UL and CE as well as passed required tests such as RoHS, REACH and EEI. All of these ensured the safety, stability, reliability, durability and legality of our products in the market. We have formed our own core competitiveness as well as the space for sustainable development with sufficient material resources, reinforced regulation system and hightech talents we gathered.



# Application area & Technical data

# Advantage

## Application area

1. Domestic heating and water supply system
2. Air and ground source heat pump system
3. Air-conditioning system
4. Industrial hot water circulation system
5. Solar thermal system

## Technical data

1	Power supply voltage	220V-240V, AC, Protective earth
2	Motor protection	No external protection required
3	IP class	IP44
4	Insulation class	H
5	(RH) Humidity	Max 95%
6	System pressure	1.0 Mpa
7	Compliance	EMC/RoHS/REACH/TUV/CE/EEI
8	Environment temperature	-30°C ~ 55°C
9	Temperature class	TF 95
10	Liquid temperature	2 ~ +95°C

## Advantage

### Easy installation and operation

Equipped with Self Adapting mode AUTO (default setting), pump runs once the power is connected and adapts its performance according to actual system needs. 11H, 17H.

Control is effected by digital pulse-width modulation (PWM) low-voltage signal, enabling the pump to be used to meet different flow requirement in various systems.

### Low noise and high comfort

Noise index:  $\leq 42\text{dB(A)}$

### Low energy consumption

Lowest power consumption up to 6W.

### Multiple protection

With over-voltage and over-current protection

### Eco-Design Benchmark

EEI  $\leq 0.20$ -Part 3

### Quick release power plug

Start-up and stop the pump quickly.

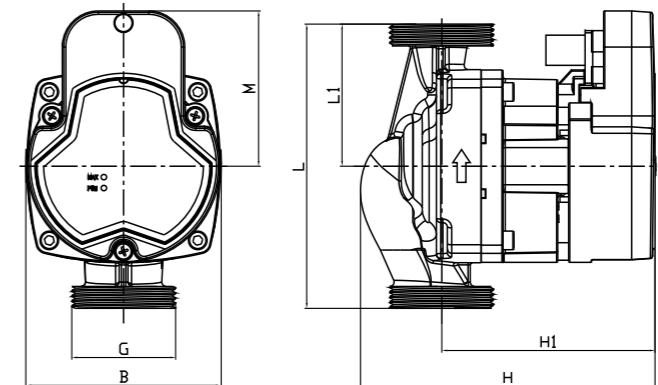


# H Series High Efficiency Circulator

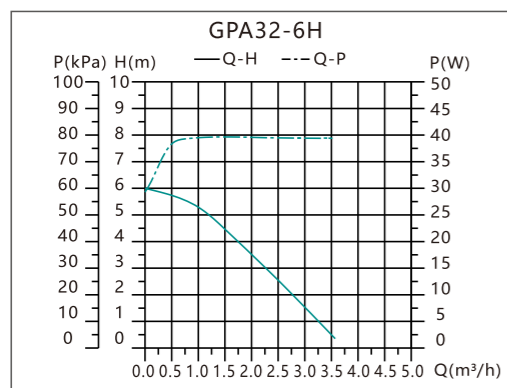
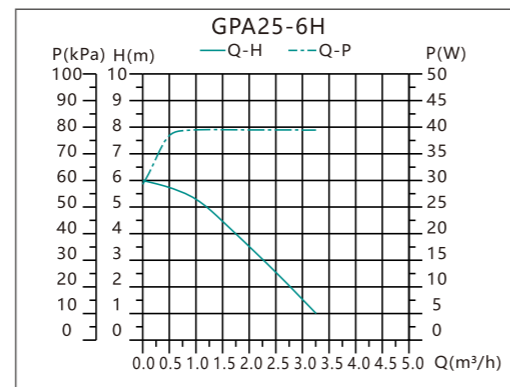
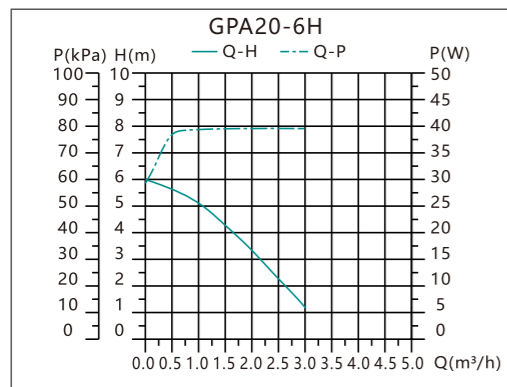
# GPA 6H Series



## Installation drawing



## Technical data



## Performance parameter

Model	Max. Flow (m³/h)	Rated Head (m)	Rated condition (m@m³/h)	Power (W)	Voltage(V) 230V	Rated Flow 230V	Material of pump housing			
							Cast Iron	Plastic	Copper	Stainless steel
GPA20-6H/130	3.0	6	3.2@2.0	39	●	0.35	●	●	●	●
GPA25-6H/130	3.2	6	3.3@2.0	39	●	0.35	●			
GPA25-6H/180	3.2	6	3.3@2.0	39	●	0.35	●		●	●
GPA32-6H/180	3.6	6	3.2@2.0	39	●	0.35	●			

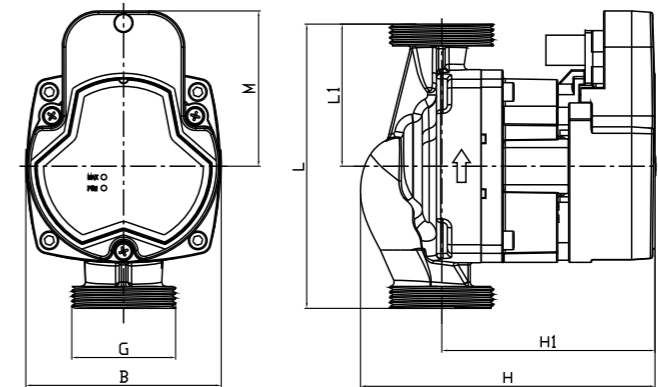
Model	Dimension							Weight(Kg)		Volume (m³)	Connection	Package size(mm×mm×mm)
	M	B	L1	L	H1	H	G	N.W.	G.W.			
GPA20-6H/130	71	90	65	130	98	135	1"	1.7	2.6	0.76	1"-3/4"	1155*725*905(210pcs/plt)
GPA25-6H/130	71	90	65	130	98	135	1½"	1.9	3.2	0.76	1½"-1"	1155*725*905(210pcs/plt)
GPA25-6H/180	71	90	90	180	98	135	1½"	2.0	3.8	0.76	1½"-1"	1155*725*905(175pcs/plt)
GPA32-6H/180	71	90	90	180	98	135	2"	2.1	4.0	0.76	2"-1½"	1155*725*905(175pcs/plt)

# H Series High Efficiency Circulator

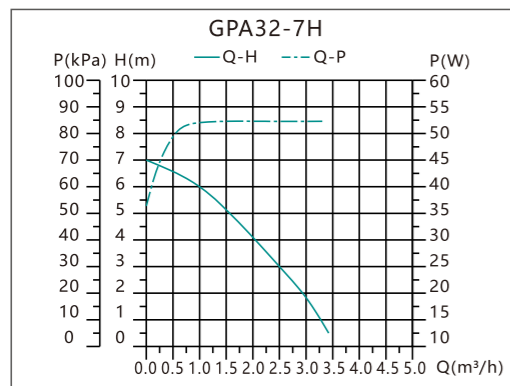
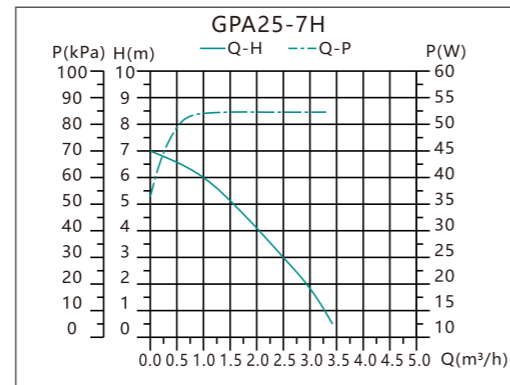
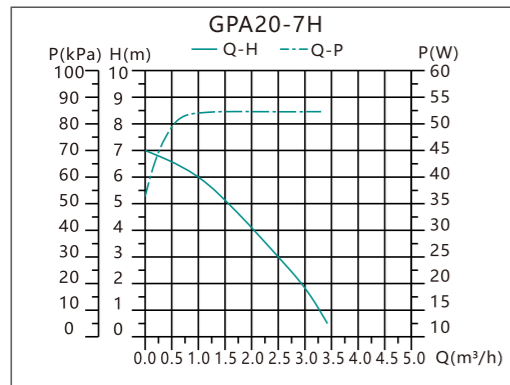
# GPA 7H Series



## Installation drawing



## Technical data



## Performance parameter

Model	Max. Flow (m³/h)	Rated Head (m)	Rated condition (m@m³/h)	Power (W)	Voltage(V) 230V	Rated Flow 230V	Material of pump housing			
							Cast Iron	Plastic	Copper	Stainless steel
GPA20-7H/130	3.3	7	3.6@2.2	52	●	0.45	●	●	●	●
GPA25-7H/130	3.4	7	3.8@2.2	52	●	0.45	●			
GPA25-7H/180	3.4	7	3.8@2.2	52	●	0.45	●		●	●
GPA32-7H/180	3.8	7	3.2@2.2	52	●	0.45	●			

Model	Dimension							Weight(Kg)		Volume (m³)	Connection	Package size(mm×mm×mm)
	M	B	L1	L	H1	H	G	N.W.	G.W.			
GPA20-7H/130	71	90	65	130	98	135	1"	1.7	2.6	0.76	1" - 3/4"	1155*725*905(210pcs/plt)
GPA25-7H/130	71	90	65	130	98	135	1 1/2"	1.9	3.2	0.76	1 1/2" - 1"	1155*725*905(210pcs/plt)
GPA25-7H/180	71	90	90	180	98	135	1 1/2"	2.0	3.8	0.76	1 1/2" - 1"	1155*725*905(175pcs/plt)
GPA32-7H/180	71	90	90	180	98	135	2"	2.1	4.0	0.76	2" - 1 1/2"	1155*725*905(175pcs/plt)

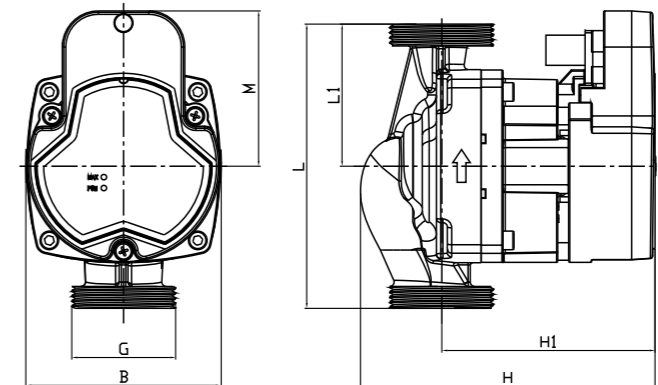


# H Series High Efficiency Circulator

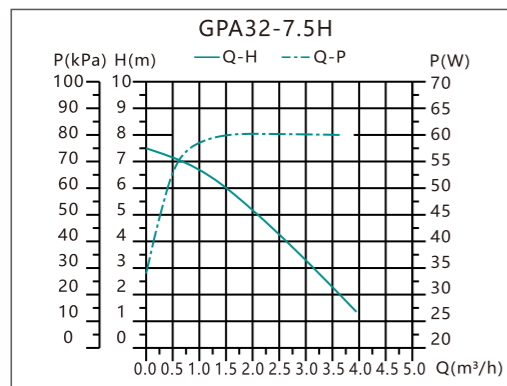
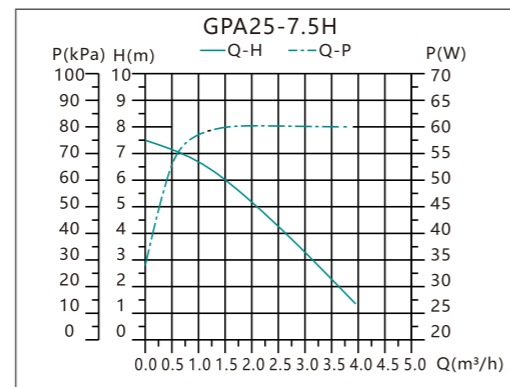
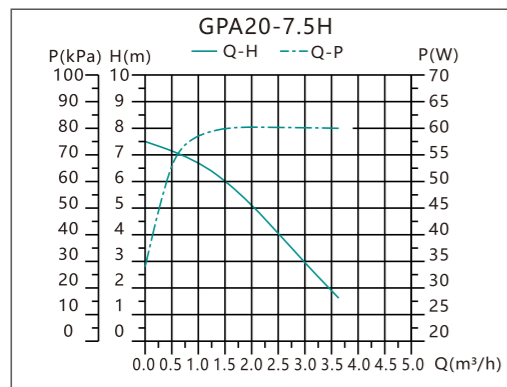
# GPA 7.5H Series



## Installation drawing



## Technical data



## Performance parameter

Model	Max. Flow (m³/h)	Rated Head (m)	Rated condition (m@m³/h)	Power (W)	Voltage(V) 230V	Rated Flow 230V	Material of pump housing			
							Cast Iron	Plastic	Copper	Stainless steel
GPA20-7.5H/130	3.6	7.5	4.5@2.2	60	●	0.5	●	●	●	●
GPA25-7.5H/130	3.8	7.5	4.7@2.2	60	●	0.5	●			
GPA25-7.5H/180	3.8	7.5	4.7@2.2	60	●	0.5	●		●	●
GPA32-7.5H/180	3.8	7.5	4.5@2.2	60	●	0.5	●			

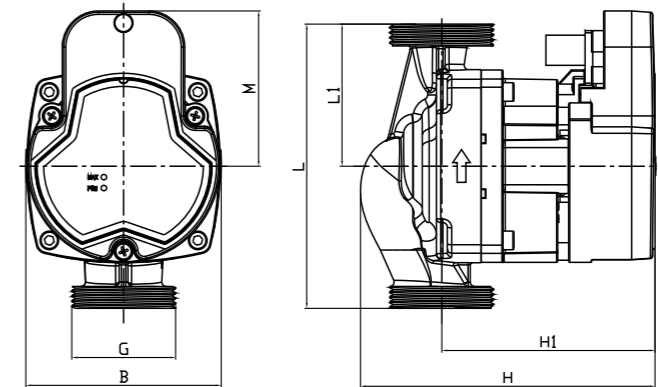
Model	Dimension							Weight(Kg)		Volume (m³)	Connection	Package size(mm×mm×mm)
	M	B	L1	L	H1	H	G	N.W.	G.W.			
GPA20-7.5H/130	71	90	65	130	98	135	1"	1.7	2.6	0.76	1"-3/4"	1155*725*905(210pcs/plt)
GPA25-7.5H/130	71	90	65	130	98	135	1½"	1.9	3.2	0.76	1½"-1"	1155*725*905(210pcs/plt)
GPA25-7.5H/180	71	90	90	180	98	135	1½"	2.0	3.8	0.76	1½"-1"	1155*725*905(175pcs/plt)
GPA32-7.5H/180	71	90	90	180	98	135	2"	2.1	4.0	0.76	2"-1½"	1155*725*905(175pcs/plt)

# H Series High Efficiency Circulator

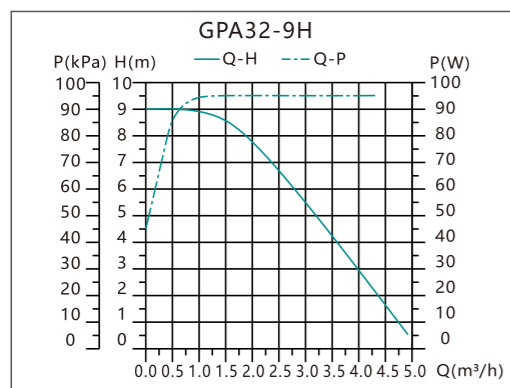
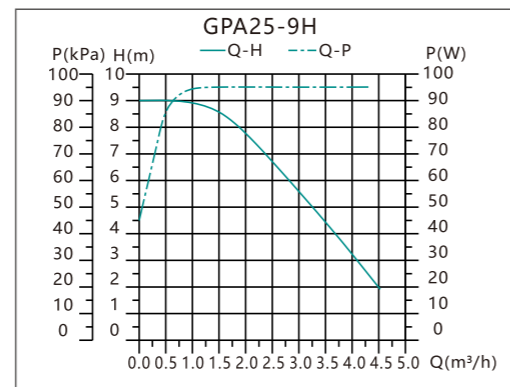
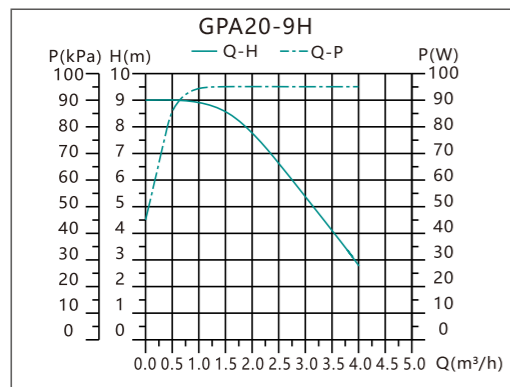
# GPA 9H Series



## Installation drawing



## Technical data



## Performance parameter

Model	Max. Flow (m³/h)	Rated Head (m)	Rated condition (m@m³/h)	Power (W)	Voltage(V) 230V	Rated Flow 230V	Material of pump housing			
							Cast Iron	Plastic	Copper	Stainless steel
GPA20-9H/130	4.0	9	6.5@2.5	95	●	0.9	●	●	●	●
GPA25-9H/130	4.5	9	6.5@2.5	95	●	0.9	●			
GPA25-9H/180	4.5	9	6.5@2.5	95	●	0.9	●		●	●
GPA32-9H/180	5.0	9	6.5@2.5	95	●	0.9	●			

Model	Dimension							Weight(Kg)		Volume (m³)	Connection	Package size(mm×mm×mm)
	M	B	L1	L	H1	H	G	N.W.	G.W.			
GPA20-9H/130	71	90	65	130	98	135	1"	1.7	2.6	0.76	1"-3/4"	1155*725*905(210pcs/plt)
GPA25-9H/130	71	90	65	130	98	135	1½"	1.9	3.2	0.76	1½"-1"	1155*725*905(210pcs/plt)
GPA25-9H/180	71	90	90	180	98	135	1½"	2.0	3.8	0.76	1½"-1"	1155*725*905(175pcs/plt)
GPA32-9H/180	71	90	90	180	98	135	2"	2.1	4.0	0.76	2"-1½"	1155*725*905(175pcs/plt)

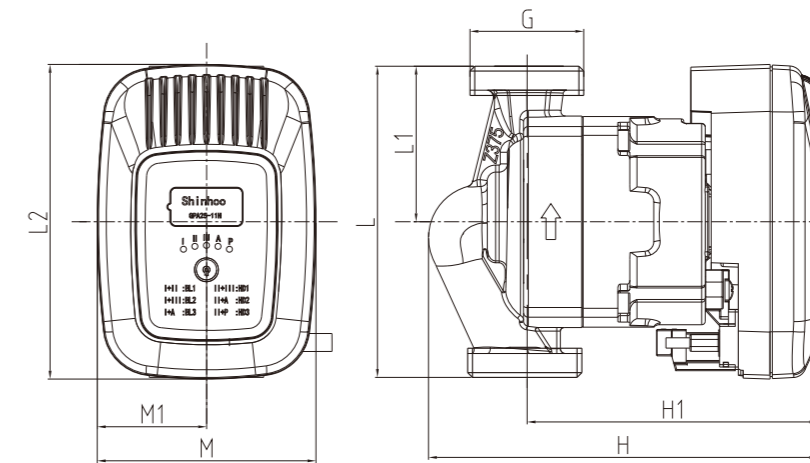


# H Series High Efficiency Circulator

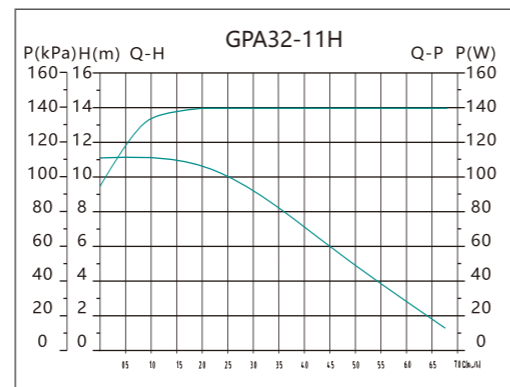
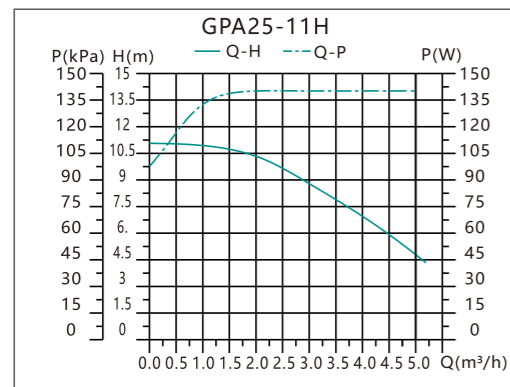
# GPA 11H Series



## Installation drawing



## Technical data



## Performance parameter

Model	Max. Flow (m³/h)	Rated Head (m)	Rated condition (m³/h)	Power (W)	Voltage(V) 230V	Rated Flow 230V	Material of pump housing			
							Cast Iron	Plastic	Copper	Stainless steel
GPA25-11H/130	5.5	11	7.5@3.5	140	●	1.09	●			
GPA25-11H/180	5.5	11	7.5@3.5	140	●	1.09	●			
GPA32-11H/180	6.5	11	7.5@3.5	140	●	1.09	●			

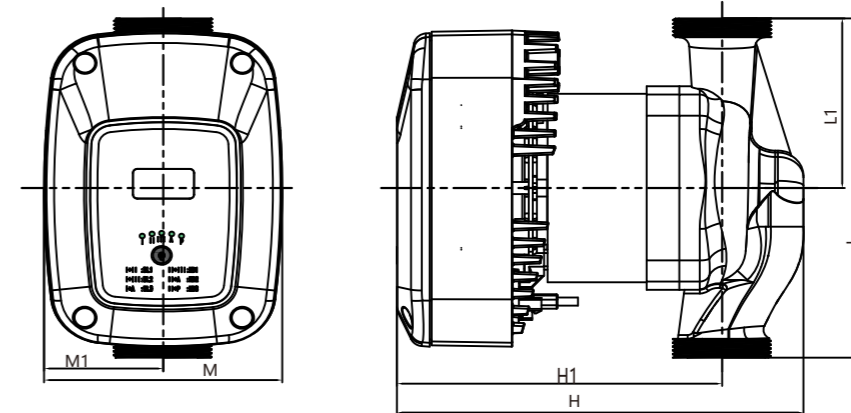
Model	Dimension								Weight(Kg)		Volume (m³)	Connection	Package size(mm×mm×mm)
	L2	L1	L	M1	M	H1	H	G	N.W.	G.W.			
GPA25-11H/130	131.5	65	130	45.5	91	121.5	162.5	1½"	2.4	2.6	0.76	1½"-1"	1155*725*905(150pcs/plt)
GPA25-11H/180	131.5	90	180	45.5	91	120	162	1½"	2.5	2.7	0.76	1½"-1"	1155*725*905(140pcs/plt)
GPA32-11H/180	131.5	90	180	45.5	91	127.5	164	2"	2.8	3.0	0.76	2"-1½"	1155*725*905(140pcs/plt)

# H Series High Efficiency Circulator

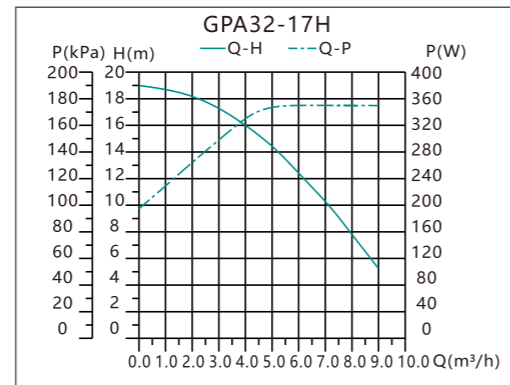
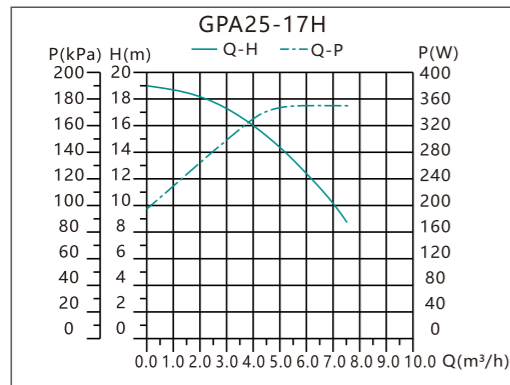
# GPA 17H Series



## Installation drawing



## Technical data



## Performance parameter

Model	Max. Flow (m³/h)	Rated Head (m)	Rated condition (m³/h)	Power (W)	Voltage(V) 230V	Rated Flow 230V	Material of pump housing			
							Cast Iron	Plastic	Copper	Stainless steel
GPA25-17H/180	7.5	17	13@5	350	●	2.2	●		●	
GPA32-17H/180	9.0	17	12.4@5	350	●	2.2	●			

Model	Dimension							Weight(Kg)		Volume (m³)	Connection	Package size(mm×mm×mm)
	L1	L	M1	M	H1	H	G	N.W.	G.W.			
GPA25-17H/180	90	180	58.5	117.5	162	201.5	1½"	4.6	4.8	0.76	1½"-1"	1155*725*905(60pcs/plt)
GPA32-17H/180	90	180	58.5	117.5	159	199	2"	4.8	5.0	0.76	2"-1½"	1155*725*905(60pcs/plt)